



YHSKM25-H ATC CNC Router

Centrum Reklamy RB

Bezpośredni importer maszyn i materiałów eksploatacyjnych do produkcji liter i znaków 3D.





SPECIFICATION

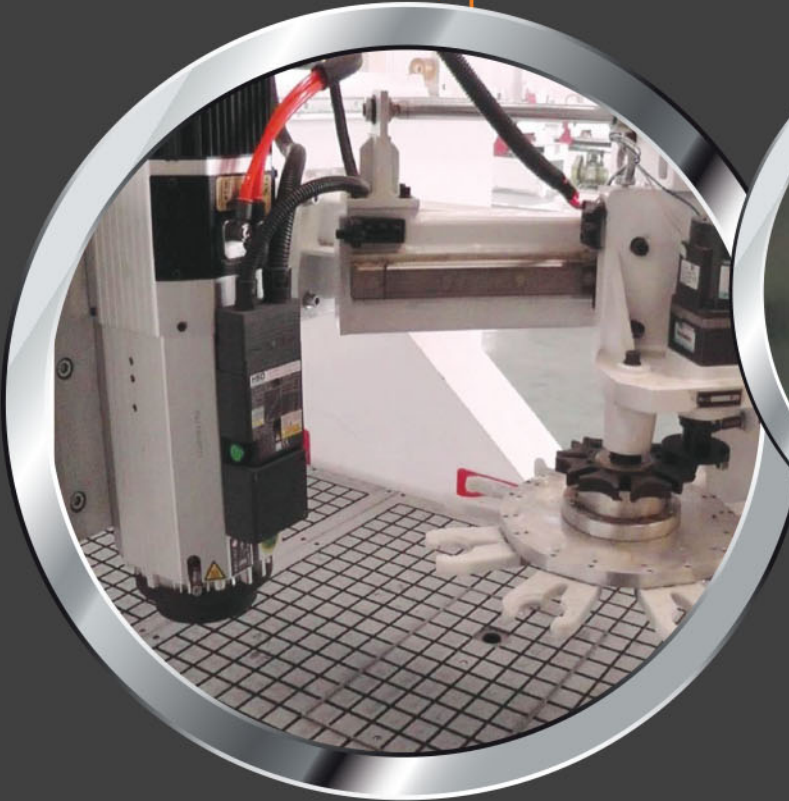


Parts	Descriptions	Remarks
Spindle	HQD 9kw ATC, 24000 RPM, BT-30	Auto Tool Changing Original
Tool magazine (carrier)	6 tool holders	Italy , Revolver type Taiwan
Inverter	Delta 11kw	Brand
Driving System	YASKAWA Servo 1300w EISELE motor gear box (1:10)	Japan Brand Germany Brand
Working area	1300x2500x 300 mm	X Y Z
Transmission	Linear Guide rail (30 mm wide) Ball screw for Z axis Spiral racks and gears for X Y	PMI Made in Taiwan , strong and stable PMI Made in Japan , Lubrication free Atlanta Made in Germany , high precision
CNC system	Original Ncstudio with scroll	Made in China
Vacuum System	centroller air cooling vacuum pump 5.5 kw	Best Brand in China. 5.5 kw is more suitable for 1.3mx2.5 size platform
Dust collecting system	2.2 kw double pocket	Keep platform clean during working
Software	..	With designing library
Platform	T slot, Bakelite board with Vacuum	For booth vacuum and clamps
Gantry	Whole casted steel	Little deform after long time using. Better than Casted Aluminum.
Machine chassis	Steel tubes 12 mm thick	Keep in high accuracy after long time
Electronic Components	SIEMENS and Schneider	
Limit Switch	OMRON	
Cable and Towline	High quality	For long time working with problem
Relocating accuracy	0.05 mm	Machine accuracy 0.05 mm
Max Moving speed	≥45000 mm/min	Working speed ≥ 25000 mm/min
Working Voltage	AC 380v 50Hz	3-phase power
NW/GW	1500 kg	approximately

Price:
32400 \$
USD

Podane ceny są cenami netto. Cennik nie stanowi oferty handlowej w rozumieniu art. 66 § Kodeksu Cywilnego. Zastrzegamy sobie prawo do zmian.

6 TOOL HOLDERS



NCSTUDIO SYSTEM



HQD BT 30 ATC SPINDLE



DELTA INVERTER





PARTS AND ACCESSORIES



NCSTUDIO CONTROLLER



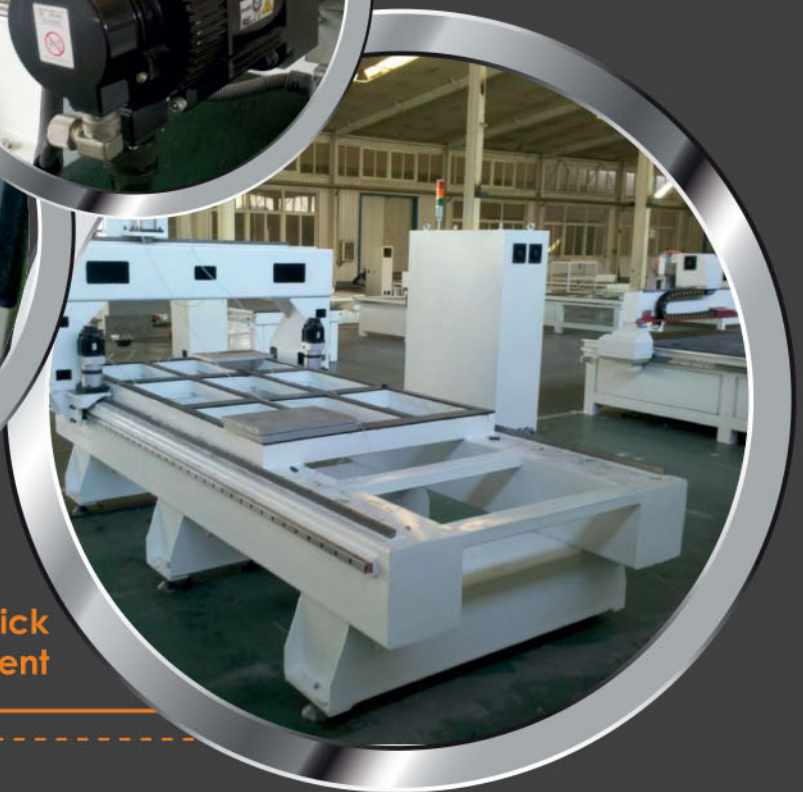
EISELE MOTOR GEAR BOX



YASKAWA SERVO MOTOR

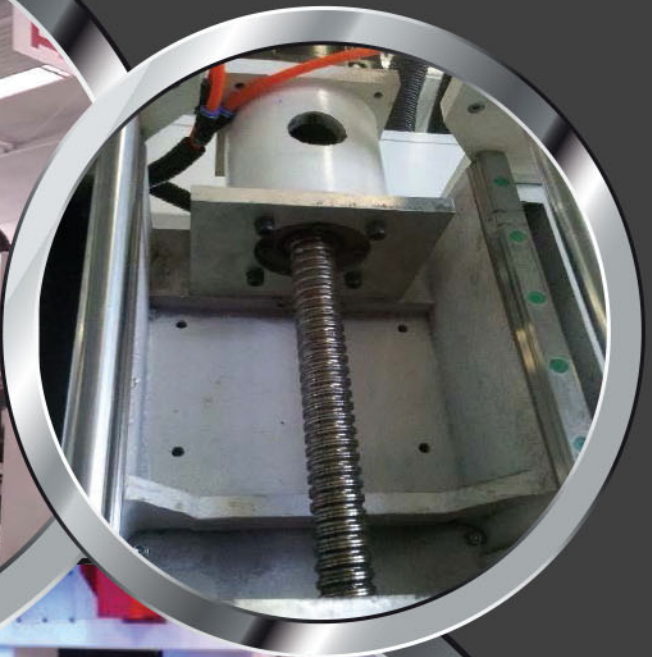


YASKAWA SERVO DRIVES



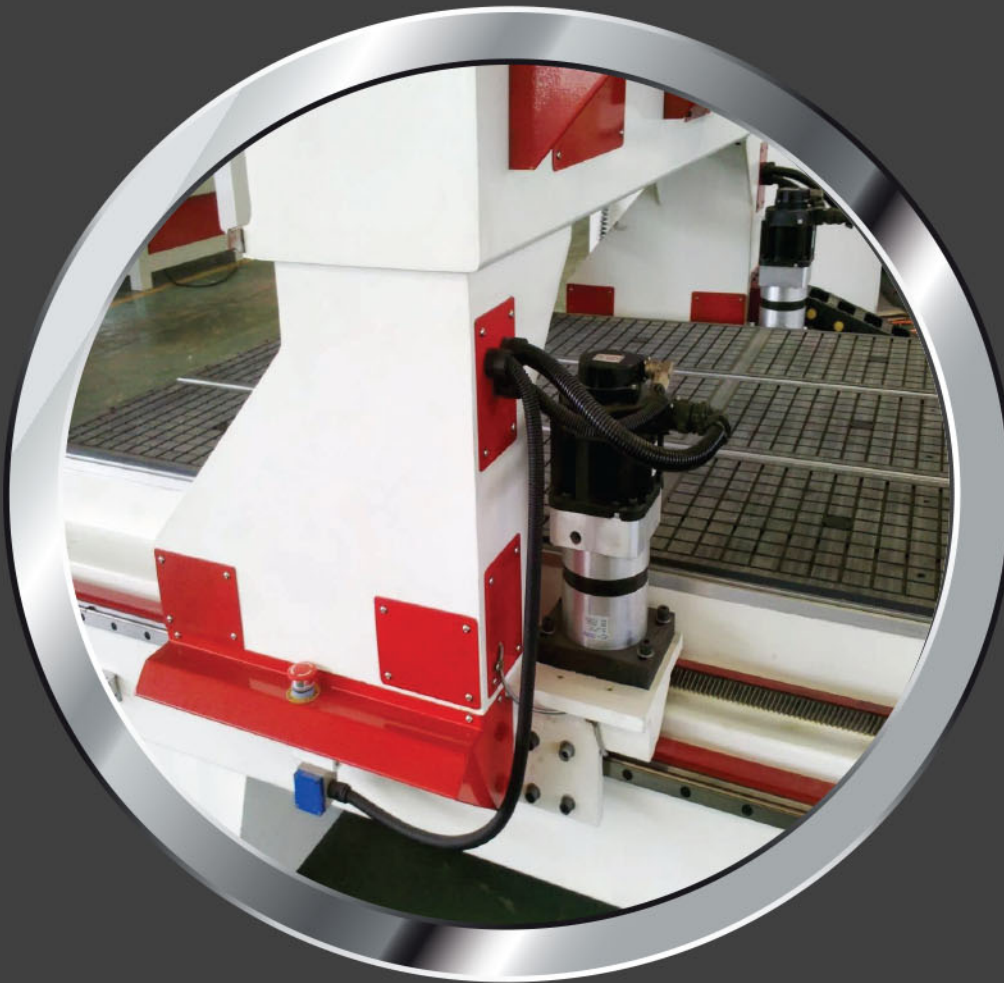
Enhanced structure with thick steel tubes and Annealing treatment



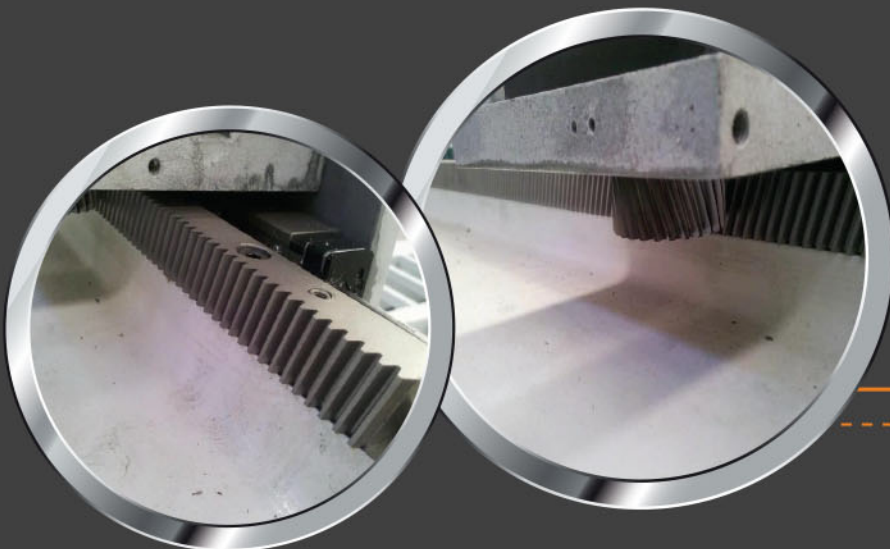




PARTS AND ACCESSORIES



Motor speed reducer (gearbox) is much more reliable than normal gear box with gears and belts in it. As belt may be loosen after long time using while reducer will not. Besides, reducer has higher efficient in accelerating and decelerating so the **machine is more safe and accurate in high speed work.**



Spiral rack gears, more smooth and steady in high speed

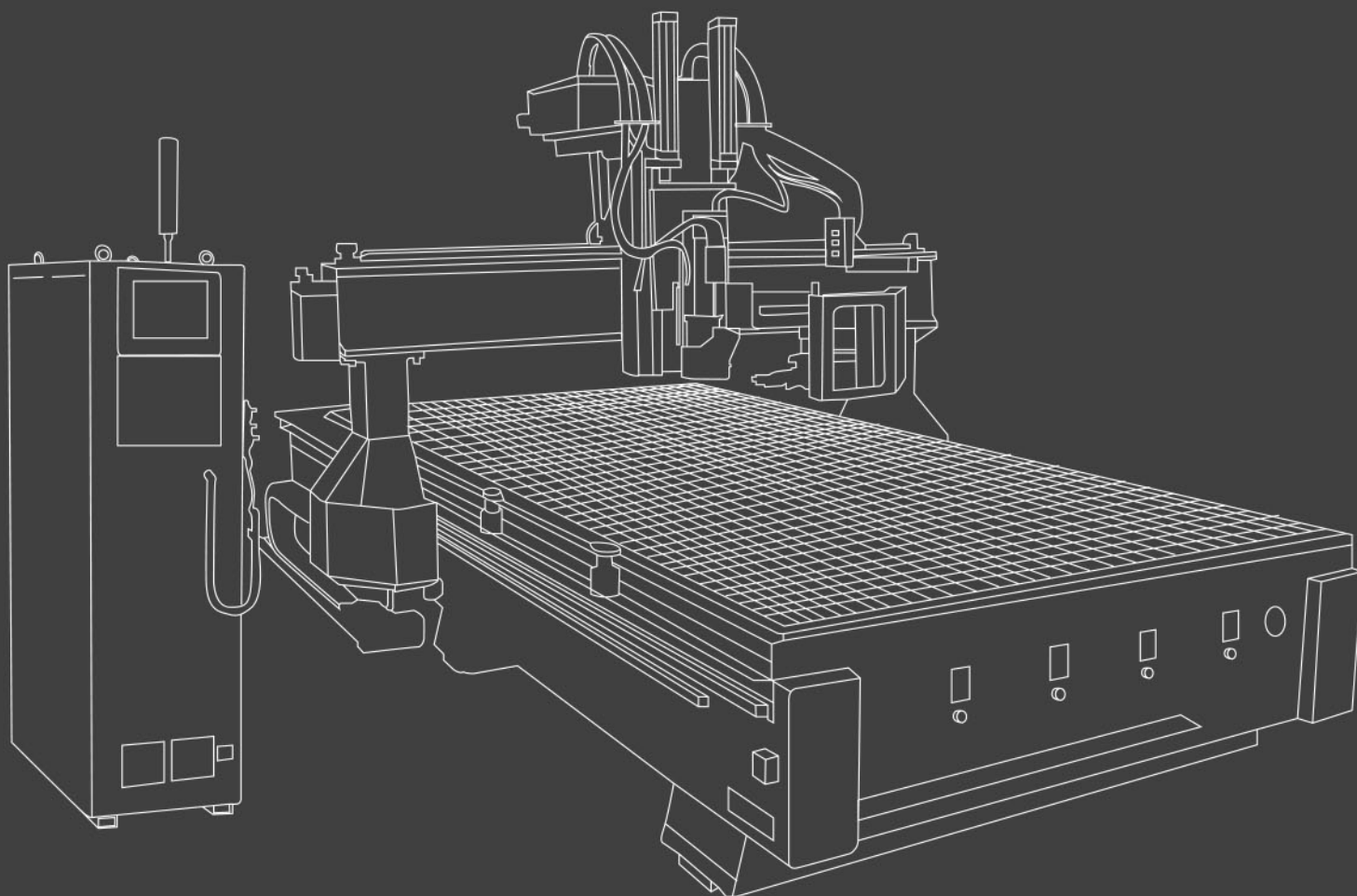


Platform with T slot and Vacuum holes





CONTACT



Centrum Reklamy RB

40-670 Katowice ul. Świerkowa 9 POLAND

tel./fax: +48 32 252 01 13

mobile: +48 603 644 603

e-mail: robert@centrum-reklamy.com.pl

www.centrum-reklamy.com.pl